

TBI Motion Ballscrews SFI Series



FEATURES

- 16mm to 80mm Screw Diameters
- 4mm to 10mm Leads
- Dynamic Loads to to 468 kgf
- Static Loads up to 1,053 kgf
- Available in Left and Right Helix
- C7 Standard Accuracy
- P1 Standard Preload
- Other Accuracies and Preloads Available Upon Request

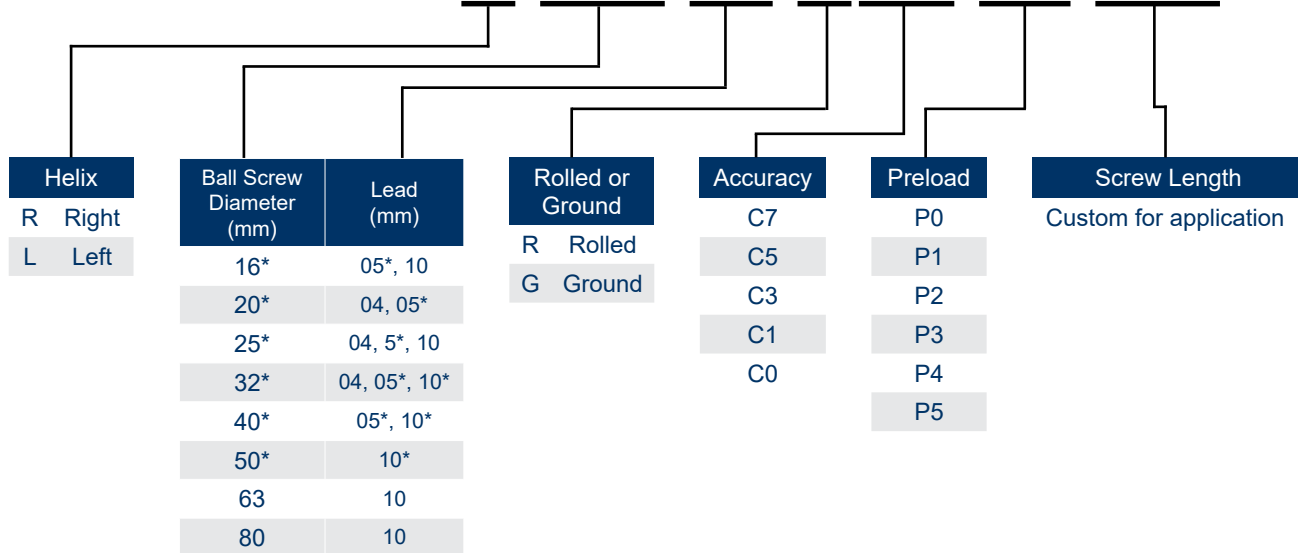


DESCRIPTION

The SFI Series screw has a diameter of 16-80mm with a 4-10mm lead. This assembly provides a dynamic force of 7,346 kgf and a static forces up to 31,953 kgf. The maximum screw length is 7,000mm. The ends of the screw can be customized per your drawing. Please contact Anaheim Automation to discuss your specific requirements.

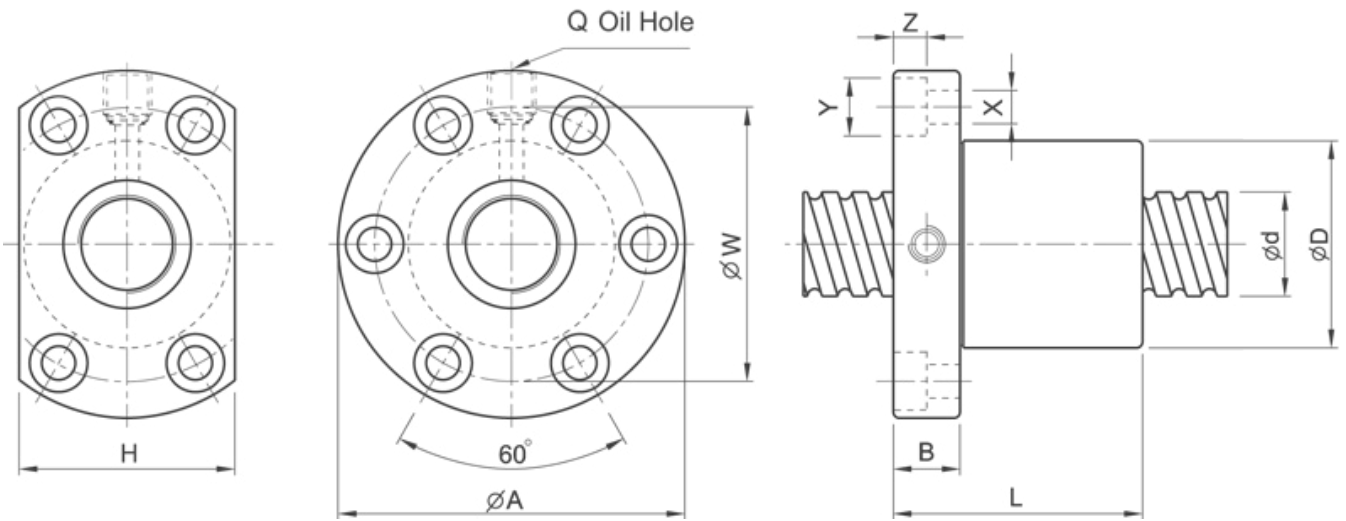
PART NUMBER LAYOUT

BSC-AAM-SFIR-016-05-RC7-P1-750



* =Also available in Left Helix

L011037



Units are in mm

Model No.	d	l	Da	D	A	B	L	W	H	X	Y	Z	Q	n	Ca	Coa	K	H*	I: Lead	Da: Ball Dia.	n: Number of Circuits	K: Stiffness (kgf)	H*: Helix
																			Ca: Basic Dynamic Rating Load (kgf)	Coa: Basic Static Rating Load (kgf)			
BSC-AAM-SFIR-016-05	16	5	3.175	30	49	10	50	39	34	4.5	8	4.5	M6	1x4	1380	3052	33	R/L					
BSC-AAM-SFIR-016-10	16	10	3.175	34	58	10	57	45	34	5.5	9.5	5.5	M6	1x3	1103	2401	27	R/L					
BSC-AAM-SFIR-020-04	20	4	2.381	34	57	11	46	45	40	5.5	9.5	5.5	M6	1x4	1066	2987	37	R					
BSC-AAM-SFIR-020-05	20	5	3.175	34	57	11	51	45	40	5.5	9.5	5.5	M6	1x4	1551	3875	39	R/L					
BSC-AAM-SFIR-025-04	25	4	2.381	40	63	11	46	51	46	5.5	9.5	5.5	M6	1x4	1180	3795	43	R					
BSC-AAM-SFIR-025-05	25	5	3.175	40	63	11	51	51	46	5.5	9.5	5.5	M8	1x4	1724	4904	45	R/L					
BSC-AAM-SFIR-025-10	25	10	4.762	46	72	12	85	58	52	6.5	11	6.5	M6	1x4	2954	7295	51	R					
BSC-AAM-SFIR-032-04	32	4	2.381	46	72	12	47	58	52	6.5	11	6.5	M6	1x4	1296	4838	49	R					
BSC-AAM-SFIR-032-05	32	5	3.175	46	72	12	52	58	52	6.5	11	6.5	M8	1x4	1922	6343	52	R/L					
BSC-AAM-SFIR-032-10	32	10	6.35	54	88	15	90	70	62	9	14	8.5	M8	1x4	4805	12208	62	R/L					
BSC-AAM-SFIR-040-05	40	5	3.175	56	90	15	55	72	64	9	14	8.5	M8	1x4	2110	7988	59	R/L					
BSC-AAM-SFIR-040-10	40	10	6.35	62	104	18	93	82	70	11	17.5	11	M8	1x4	5399	15500	72	R/L					
BSC-AAM-SFIR-050-10	50	10	6.35	72	114	18	93	92	82	11	17.5	11	M8	1x4	6004	19614	83	R/L					
BSC-AAM-SFIR-063-10	63	10	6.35	85	131	22	98	107	95	14	20	13	M8	1x4	6719	25358	95	R					
BSC-AAM-SFIR-080-10	80	10	6.35	105	150	22	98	127	115	14	20	13	M8	1x4	7346	31953	109	R					

Units are in mm

*PLEASE NOTE - Each standard ball screw includes **one** nut. Additional nuts will be considered a custom request, and will require creation of a special part number.